

**ISEO**® **Zero1**  
ELECTRONIC  
SOLUTIONS

---

**LIBRA LE60**  
MODULAR ELECTRONIC CYLINDER

E N G L I S H



# Libra LE60

## MODULAR ELECTRONIC CYLINDER



The flexible, easy to use, secure and stable **LE60** platform by **ISEO** extends to **Libra**.

Libra is the **RFID** electronic cylinder which can be used with **Argo** and **V364** access control system by **ISEO**.

---



# Libra LE60 Benefits



## Fast installation

**Libra LE60** easily adapts to any door thickness and lock position with no need of preliminary door inspection. You don't need to know the required cylinder dimensions in advance.



## Just in time solution

**Libra LE60** reduces the time and costs of service to customers providing an instant solution to customer's needs.



## More business less stock

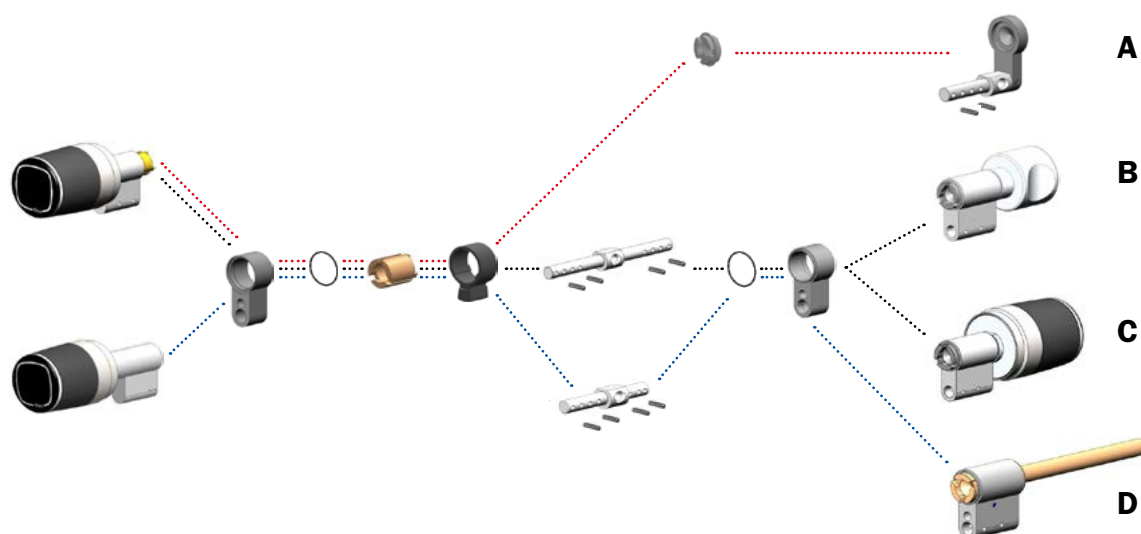
**Libra LE60** enables many business opportunities with minimal stock.

# Libra LE60 Components



**Libra LE60** is based on the **LE60** platform by **ISEO** allowing the use of the same assembling methodology and tools of the mechanical modular systems for **CSF** and **CSR** cylinders series by **ISEO**.

Since **Libra LE60** has a different core mechanism from modular systems for **CSR** and **CSF**, most of the mechanical components are specific to **Libra LE60**.



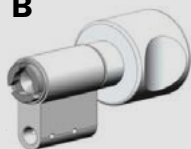
## Different configurations

**A**



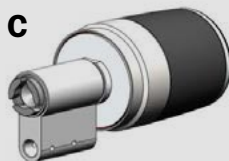
Single profile

**B**



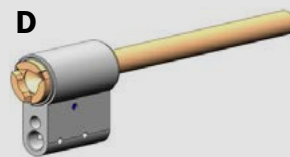
Internal mechanical knob

**C**



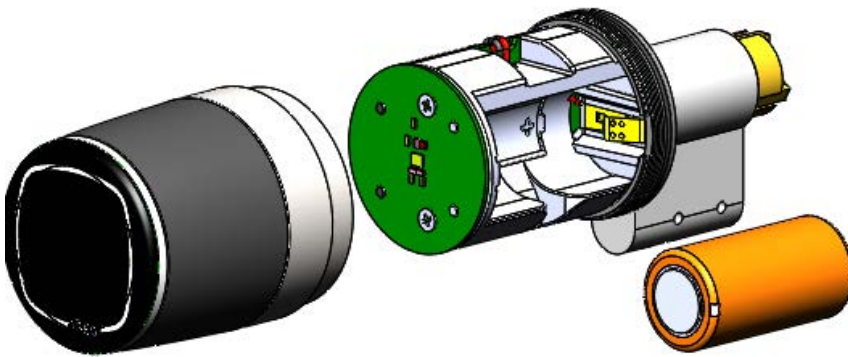
Double electronic knob

**D**



Shortenable shaft

Libra LE60 introduces also the standard battery ER17335M for power supply.

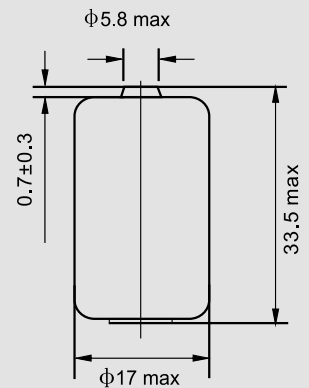


## Standard battery ER17335M



**ER17335M\*** is a 3,6V Lithium Thionyl Chloride spiral wound construction battery, available with high discharge rate current (pulse current up to 1000mA).

\* M in ER17335M indicates spiral wound and high discharge rate current.



Dimensions in mm



**Iseo Serrature** s.p.a.

Via San Girolamo, 13  
25055 Pisogne BS, Italy  
Tel. +39 0364 8821  
iseo@iseo.com

Via Don Fasola 4  
22069 Rovellasca CO, Italy  
iseozero1@iseo.com

**iseo.com**

ISEO Serrature SpA is constantly improving its security solutions, so the information contained in marketing materials is subject to change without notice and does not represent any commitment on the part of ISEO Serrature SpA. ISEO Serrature SpA assumes no responsibility or liability for any errors or inaccuracies that may appear in this documentation.

MIFARE is a registered trademark owned by NXP Semiconductors. iOS is a mobile operating system developed by Apple Inc. iPhone is a smartphone range designed and marketed by Apple Inc. Apple Watch Series 3 and Series 4 is a smartwatch designed, developed, and marketed by Apple Inc. Android is a mobile operating system developed by Google Inc. Linux is a family of free and open-source software operating systems. Bluetooth Smart is a wireless technology designed and marketed by the Bluetooth Special Interest Group.